

TEAC

SERVICE MANUAL

14" COLOUR TELEVISION

MODEL: CT-M3413

SKYWORTH ELECTRONICS CO., LTD

CTV-8148GT

CTV-8208GT

CT-MJ413

SAFETY TEST AND ALIGNMENT INSTRUCTION

FOR : PAL/BG (SGS CONTROL CPU) W/21 PINS SOCKET/TELETEXT

PREPARED BY : *J. M. S. Tan* 12/1/94
APPROVED BY : *T. C. Chong*
DATE : 12 SEP 1994
REVISION DATE :

X-RAY RADIATION PRECAUTION

- 1) Excessive high voltage can produce potentially hazardous X-Ray Radiation. To avoid such hazards, the high voltage must not be above the specified limit. The normal value of the high voltage of this receiver is 26KV at zero beam current (minimum brightness) under 220V AC power source. The high voltage must not, under any circumstances, exceed 28KV.
- 2) Each time a receiver requires servicing, the high voltage should be checked following the High Voltage Check procedure in this manual. It is recommended the reading of the high voltage be recorded as a part of the service record. It is important to use an accurate and reliable high voltage meter.
- 3) The primary source of X-Ray Radiation in this TV Receiver is the picture tube. For continued X-Ray Radiation protection, the replacement tube must be exactly the same type tube as specified in the parts list.
- 4) Some parts in this receiver have special safety - related characteristics for X-Ray Radiation protection. For continued safety, parts replacement should be undertaken only after referring to the Product Safety Notice.

SAFETY PRECAUTION

Warning : Service should not be attempted by anyone unfamiliar with the necessary precautions on this receiver.

The following are the necessary precautions to be observed before servicing this chassis.

- 1) Since the power supply circuit of this receiver is directly connected to the AC power line, an isolation transformer should be used during any dynamic service to avoid possible shock hazard.
- 2) Always discharge the picture tube anode to the CRT conductive coating before handling the picture tube. The picture tube is highly evacuated and if broken, glass fragments will be violently expelled. Use shatter proof goggles and keep picture tube away from the unprotected body while handling.
- 3) When replacing a chassis in the cabinet, always be certain that all the protective devices are put back in place, such as : non-metallic control knobs, insulating covers, shields, isolation resistor-capacitor network etc.
- 4) When replacing parts or circuit boards, disconnect the power cord.
- 5) When replacing a high wattage resistor (Metal oxide film resistor) on circuit board, keep the resistor 10mm (1/2 in.) away from circuit board.
- 6) Connection wires must be kept away from components with high voltage or high temperature.
- 7) If any fuse in this TV receiver is blown, replace it with the FUSE specified in the chassis parts list.
- 8) The receiver is designed to operate with 220V (50Hz) AC mains.

PRODUCT SAFETY NOTICE

Many electrical and mechanical parts in this chassis have special safety-related characteristics. These characteristics are often passed unnoticed by a visual inspection and the X-Ray Radiation protection afforded by them cannot necessarily be obtained by using replacement components rated for high wattage, etc. Replacement parts which have these special safety characteristics are identified in this manual and its supplements, electrical components having such features are shaded on the schematic diagram and the part list.

Before replacing any of these components, read the parts list in this manual carefully. The use of substitute replacement parts which do not have the same safety characteristics as specified in the parts list may create shock, fire, X-Ray Radiation or other hazards.

GENERAL ADJUSTMENT INSTRUCTION

This receiver is transistorized and special care should be taken when servicing. Read the following matters that demand special attention before attempting adjustment.

- 1) Adjustment requires an exact procedure and should be undertaken only when necessary.
- 2) An isolation transformer should be used during any dynamic service to avoid possible shock hazard.
- 3) The test equipment specified or its equivalent is required to perform the alignment properly. Use of equipment which does not meet these requirements may result in improper alignment.
- 4) Correct matching of the equipment is essential. Failure to use proper matching will result in responses which can not represent the true operation of the receiver.
- 5) The AC power line voltage should be kept 215 to 235 volts 50Hz during alignment.
- 6) Do not attempt to connect or disconnect any wire while the receiver is in operation. Make sure the power cord is disconnected before replacing parts in the receiver.
- 7) Unless otherwise noted, do not perform any adjustment until the receiver has been turned on for at least 10 minutes.

ALIGNMENT INSTRUCTION

A. PLEASE READ BEFORE ATTEMPTING SERVICE

- 1) Do not connect any antenna plug directly to the tuner socket and do not connect any equipments directly to the TV chassis, otherwise it may be burnt out the TV or equipment, except an isolation transformer is used for main power source of the TV sets.
- 2) Never disconnect any leads while receiver is in operation.
- 3) Disconnect all power before attempting any repairs.
- 4) Do not short any portion of the circuit while power is on.
- 5) For safety reasons, all parts replaced should be identical. (for parts and part numbers see parts list).
- 6) Before alignment the set must be pre-heated for 30 minutes or more and erase magnetism thoroughly from CRT front chassis frame by erase coil.

B. TEST EQUIPMENT

- 1) VIF Sweep Generator
- 2) AM/FM Signal Generator
- 3) DC Power Supply (16V)
- 4) Oscilloscope
- 5) Volt meter
- 6) High Voltage Meter
- 7) Demagnetizing Coil
- 8) Philips Pattern Generator
- 9) Audio Generator

C. VIF ALIGNMENT

I. 30.9MHz AND 40.4MHz TRAPS ALIGNMENT

- 1) Connect signal output of sweep/market generator to the PIF output of tuner through 1000pf capacitor.
- 2) Signal output set to 100dB.
- 3) Connect the oscilloscope as shown in Fig 1(A).
- 4) Apply a +16v DC to C241 (Main P.C.B).
- 5) Turn L117 for 40.4 MHz as shown in Fig 1(B).

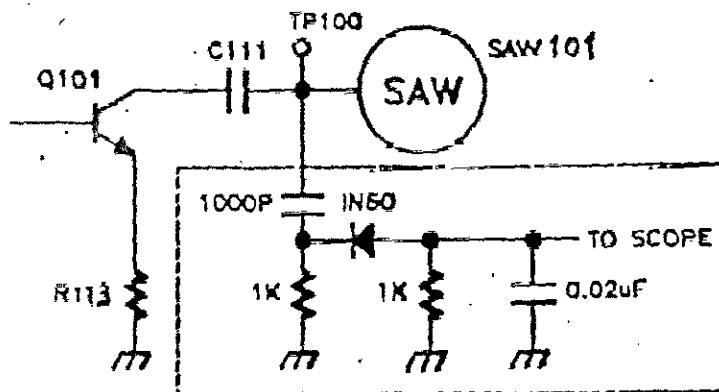


Fig.1A

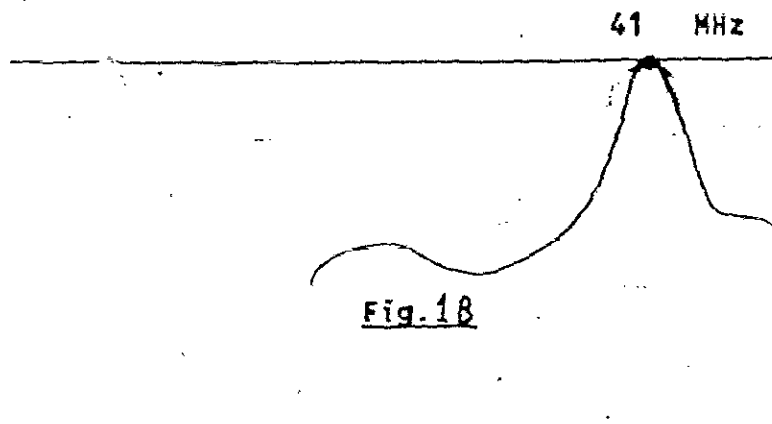
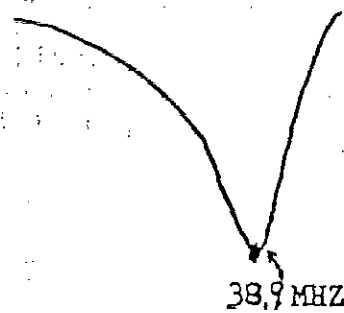


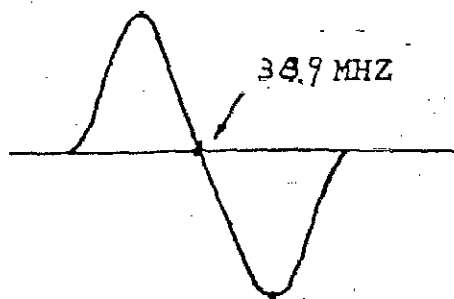
Fig.1B



(FIG. 2B)

E. AFC ALIGNMENT

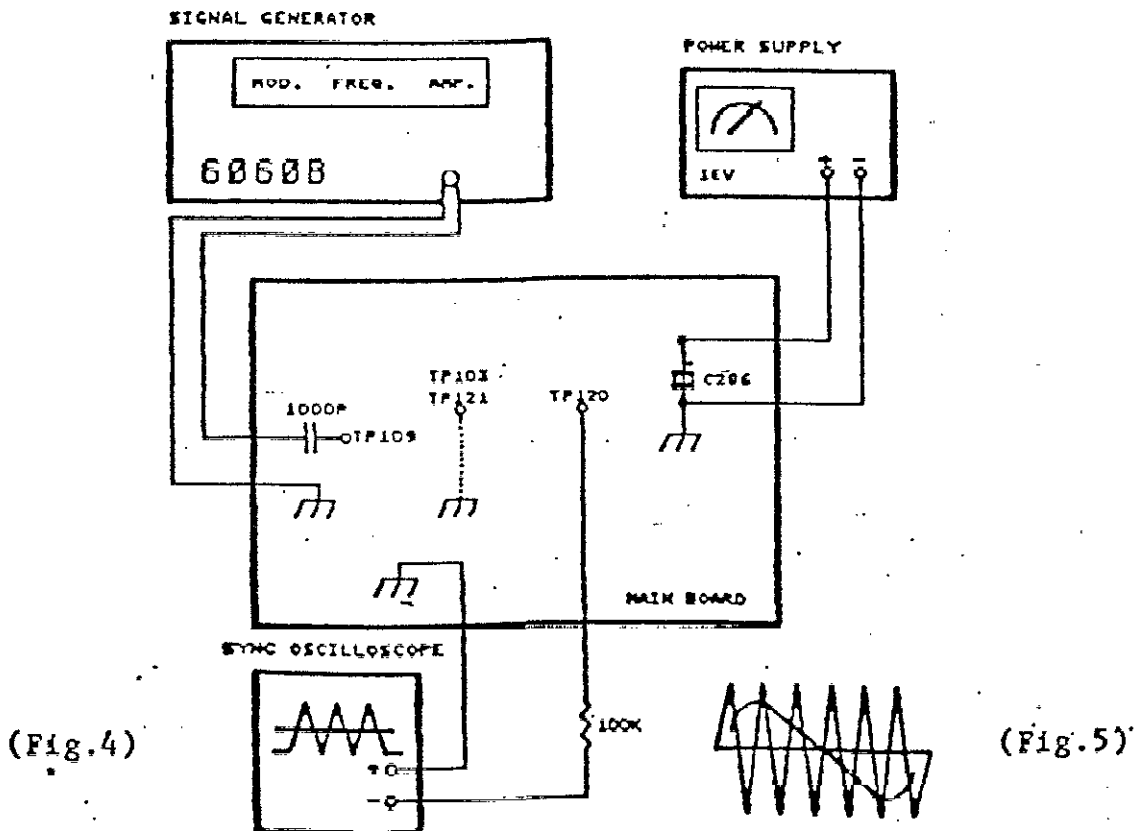
- 1) Connect input same as PIF Pin 23 of IC101 short to ground and reconnect the vertical input of the Oscilloscope to TP101 (Q102 "B") and between 1K Ohm resistor to ground. Apply a +6V DC dummy AGC BIAS to TP103.
- 2) Set the Oscilloscope maximum.
- 3) Adjust L107 for waveform as shown in Fig 3.



(FIG. 3)

F. SIF ALIGNMENT

- 1) Set FM signal generator to 5.5MHz with AF 400Hz, 25KHz FM modulation output level 90-120dB. Apply this signal to TP108 through a 1000PF capacitor.
- 2) Short AGC TP103 to ground.
- 3) Add a resistor 10K ohm from 12V to Pin 1 of IC102.
- 4) Short "Base" of Q004 to ground.
- 5) Connect the Oscilloscope input in series with a 100K Ohm resistor to TP120 (Pin 20 of IC102).
- 6) Apply a +16V DC across C241 as shown in Fig 4.
- 7) Adjust L111 to obtain a maximum amplitude signal output with minimum distortion.



G. SOUND TRAP ALIGNMENT

- 1) Receive a Pattern and set sound modulation to 5.5MHz (BG signal).
- 2) Connect Oscilloscope to TP102 (Pin 22 of IC101).
- 3) Adjust L106 to minimum Y signal line and maximum chroma signal.

GENERAL ADJUSTMENT

AUTOMATIC DEGAUSSING

- 1) An automatic degaussing coil is attached around the picture tube, degaussing the tube properly in about one second after the set is switched on. If the receiver is moved or faced in a different direction, the power must be switched off at least 15 minutes in order that the automatic degaussing circuit operates properly. External degaussing is necessary if the automatic degaussing proves ineffective after the set is moved. External degaussing is done by moving a degaussing coil circlewise in front of the face plate and then moving it away step by step until it is about two meters from the screen, then switch off the degaussing coil. If residual color spots are still found on the screen, adjust the color purity and convergence.

B + ADJUSTMENT

CAUTION : To avoid X-Ray hazards, B + voltage must be set correctly at 110V position.

- 1) Make sure the AC Power Supply is 220V, 50Hz.
- 2) Switch on the TV receiver, tune in an active channel and adjust brightness/contrast for maximum.
- 3) Adjust VR601 check the B+ voltage, 110V AT C315 with a reliable DC voltmeter.

HIGH VOLTAGE CHECK

CAUTION : There is no high voltage adjustment in this chassis, B + voltage directly relates to the high voltage, it must be properly adjusted to insure the correct high voltage. The high voltage must not exceed 28KV under any conditions.

- 1) Connect an accurate high voltage meter to the second anode cap of the picture tube.
- 2) Turn on the receiver, set brightness and contrast controls to minimum. (Zero beam current)
- 3) Make sure the high voltage does not exceed 28KV.
- 4) No matter whether the luminance, contrast and chrominance controls are set to maximum or minimum, the high voltage must be kept under 28KV.

HEIGHT ADJUSTMENT

- 1) Receive the Philips Pattern signal.
- 2) Adjust the height control (VR301) to slightly overscan the screen.

FOCUSING ADJUSTMENT

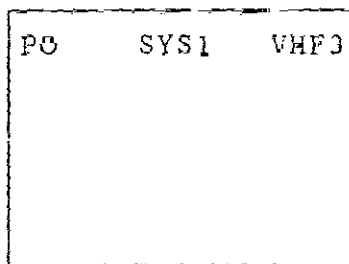
- 1) Receive the Philips Pattern signal.
- 2) Set the contrast control the the normal position.
- 3) Adjust focus control for a well-defined, sharpest display in the middle between center and side edge of the screen.

HORIZONTAL POSITION ADJUSTMENT

- 1) Receiver the Philips Pattern signal.
- 2) Adjust VR202 to change the horizontal position of the pattern for center.

ON-SCREEN POSITION ADJUSTMENT

- 1) Receive the Philips Pattern signal.
- 2) By pressing the RECALL button of the handset.
- 3) Adjust on screen (L001) for adjust the lettering to center of CRT as shown in Fig 7.

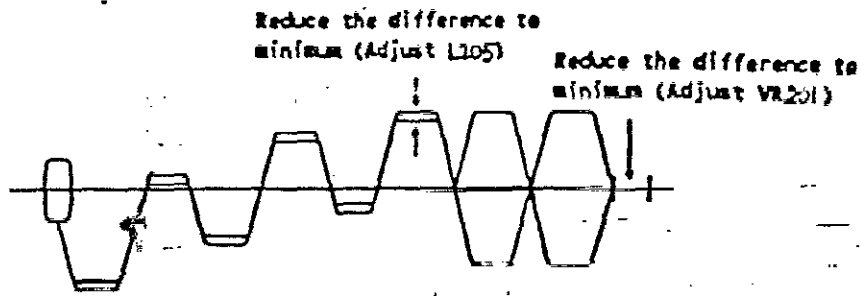


(FIG. 7)

GENERAL ADJUSTMENT

A. PAL COLOUR DEMODULATOR ADJUSTMENT

- 1) Receive Philips Pattern.
- 2) Set CONTRAST control to minimum position.
- 3) Set COLOUR control to maximum position.
- 4) Connect Oscilloscope to TP201 (B-out).
- 5) Adjust VR201 to obtain the waveform as shown in Fig 7.
- 6) Adjust L205 to obtain the waveform as shown in Fig 7.



(FIG. 7)

B. TELETEXT CONTRAST ADJUSTMENT

- 1) Receive a Pattern with Teletext signal.
- 2) Connect Oscilloscope to Pin 16 of IC701.
- 3) Select a Teletext page.
- 4) Adjust VR701 to obtain 3VP-P as shown in Fig 8 .

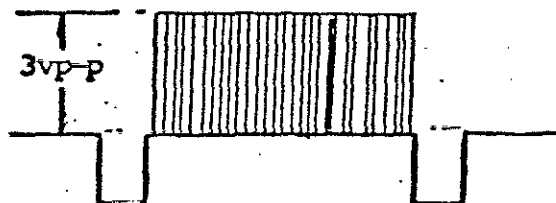


FIG 8

C. WHITE BALANCE ADJUSTMENT

- 1) Receive the monoscope pattern.
- 2) Set the R.G.B. cut off controls (VR503, VR504, VR505) and the G.B. drive controls (VR501, VR502) at center position.
- 3) Rotate the screen control (on the FBT) fully counter clockwise. (minimum position)
- 4) Set the service switch (SW201) to 'Service' position.
- 5) Rotate the screen control gradually clockwise until the first horizontal line appears on the screen.
- 6) If the first horizontal line is in blue, adjust VR503, VR504 to increase the red and green component level to get a white horizontal line.
- 7) Reset the service switch (SW201) to 'Normal' position.
Set color to minimum.
Set brightness control to middle position.
Set contrast control to middle position.
- 8) Adjust drive controls (VR501, VR502) to maintain a good white balance at the brightest part of the screen.
- 9) Use white balance checker to fine adjust (VR503, VR504, VR505) at 25% brightness level and (VR501, VR502) at 75% brightness level.

D. SUB-BRIGHTNESS ADJUSTMENT

- 1) Receive the philips pattern signal.
- 2) Set the contrast, brightness and colour controls to minimum position.
- 3) Adjust sub-brightness (VR204) until light just appears on the screen.

E. DELAY AGC ADJUSTMENT

- 1) Receive the signal of VHF High Channel.
- 2) Set input signal level at 60 +/-3dB.
- 3) Adjust AGC (VR101) control to point where noise is disappeared.
- 4) Increase input signal level to 100dB.
- 5) Check for normal picture, sound and sync.

COLOR PURITY AND CONVERGENCE ADJUSTMENT

A. COLOR PURITY ADJUSTMENT

NOTE : Before attempting any purity adjustments, the receiver should be operated for at least fifteen minutes.

- 1) Demagnetize the picture tube and cabinet using a degaussing coil.
- 2) Turn the contrast and brightness controls to maximum.
- 3) Adjust Red and Blue controls (VR503) and (VR505); to provide only a green raster. Advance the Green Bias Control (VR504) if necessary.
- 4) Loosen the clamp screw holding the yoke backward to provide vertical green belt (zone) in the picture screen.
- 5) Remove the Rubber Wedges.
- 6) Rotate and spread the tabs of the purity magnet as shown in Fig 13 around the neck of the picture tube until the green belt is in the center of the screen. At the same time, center the raster vertically.
- 7) Move the yoke slowly forward or backward until a uniform green screen is obtained. Tighten the clamp screw of the yoke temporarily.
- 8) Check the purity of the red and blue raster by adjusting the bias controls.
- 9) obtain a white raster, referring to white balance adjustment.
- 10) Proceed with convergence adjustment.

B. CONVERGENCE MAGNET ASSEMBLY POSITIONING

Convergence Magnet Assembly and Rubber Wedges need mechanical positioning as shown in Fig 11.

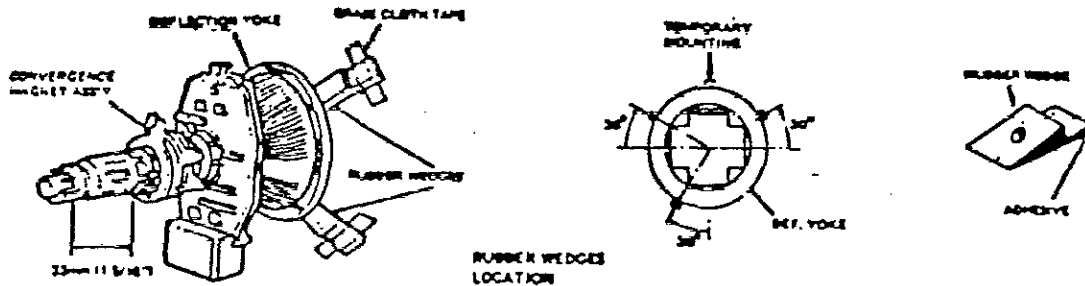


FIG. 11

C. CENTER CONVERGENCE ADJUSTMENT

NOTE : Before attempting any convergence adjustments, the receiver should be operated for at least fifteen minutes.

- 1) Receive crosshatch pattern with a color bar signal generator.
- 2) Adjust the brightness and contrast controls for well defined pattern.
- 3) Adjust two tabs of the 4 Pole Magnets to change the angle between them as shown in Fig 12 and superimpose red and blue vertical lines in the center area of the picture screen as shown in Fig 13.
- 4) Turn both tabs at the same time keeping the constant angle to superimpose red and blue horizontal lines at the center of screen as shown in Fig 13.
- 5) Adjust two tabs of 6 Pole Magnets to superimpose red/blue line with green one. Adjusting the angle affects the vertical lines and rotating both magnets affects the horizontal lines.
- 6) Repeat adjustment 3, 4, 5 keeping in mind red, green and blue movement, because 4 Pole Magnets and 6 Pole Magnets interact and make dot movement complex.

D. CIRCUMFERENCE CONVERGENCE ADJUSTMENT

NOTE : This adjustment requires Rubber Wedges and Glass Cloth Tapes.

- 1) Loosen the clamping screws of deflection yoke to allow the yoke to tilt.
- 2) Place a wedge . (Do not remove cover paper on adhesive part of the wedge).
- 3) Tilt front of the deflection yoke up or down to obtain better convergence in circumference as shown in Fig 13 Push the mounted wedge into the space between picture tube and the yoke to hold the yoke temporarily.
- 4) Place other wedge into bottom space and remove the cover part to stick.
- 5) Tilt front of the yoke right or left to obtain better convergence in circumference as shown in Fig 13.
- 6) Hold the yoke position and put another wedge in either upper space, remove cover paper and stick the wedge on picture tube to hold the yoke.
- 7) Detach the temporarily mounted wedge and put it in another upper space. Stick it on picture tube to fix the yoke.
- 8) After placing three wedges, recheck over all convergence. Tighten the screw firmly to hold the yoke tightly in place.
- 9) Stick 3 grass cloth tapes on wedges as shown in Fig 11.

PROGRAM ID : TVSTDCST
Print Date : 26/09/96
Page Number : 1

<< B.O.M. TV STANDARD PRICE LIST FOR CUSTOMER >> - CURRENCY (USD)

PRODUCT CODE : 92132T-050004-TV *Model CT-M341K*
DESCRIPTION : GT-9213 TEAC PAL/BG W/SCART 1P.TXT GREY 240V SAA.MONO 40P.

ASSEMBLY NUMBER	DESCRIPTION
-----	-----
155-892005-00-01	COMMON PART HANDSET ASS'Y (W/S.TXT)
180-92132T-05-04	NON-COM PART ASS'Y PAL/BG W/SCART/1P.TXT
180-92132T-05-CP	COMMON PART ASS'Y (PAL/BG AUST W/SCART/

** THIS SPARE LIST IS MADE FOR TECHNICAL / MAINTENANCE REFERENCE ONLY **

** THIS SPARE LIST IS MADE FOR TECHNICAL / MAINTENANCE REFERENCE ONLY **

Print Date : 26/09/96 PRODUCT CODE : 92132T-050004-TV
 Page Number : 2 DESCRIPTION : GT-9213 TEAC PAL/BG W/SCART 1P.TXT GREY 240V SAA.MONO 40P.

Component Part	Description / Location	Unit	Subs	Quantity Required	Unit Price	Amount
*** ASSEMBLY : 155-892005-00-01 COMMON PART HANDSET ASS'Y (W/S.TXT)						
107-800455-46	455K HZ RESONATOR "WEI HAW" CF701	PC	0	1.00000	0.1742	0.174200
113-101005-17	CARBON FILM RESISTOR 100 OHM 1/16W +-5% R704,706	PC	0	2.00000	0.0046	0.009200
113-102005-17	CARBON FILM RESISTOR 1K OHM 1/16W +-5% R705	PC	0	1.00000	0.0046	0.004600
113-103005-17	CARBON FILM RESISTOR 10K OHM 1/16W +-5% R702	PC	0	1.00000	0.0046	0.004600
113-109005-17	CARBON FILM RESISTOR 1 OHM 1/16W +-5% R709,710	PC	0	2.00000	0.0046	0.009200
113-473005-17	CARBON FILM RESISTOR 47K OHM 1/16W +-5% R703	PC	0	1.00000	0.0046	0.004600
113-682005-17	CARBON FILM RESISTOR 6.8K OHM 1/16W +-5% R701	PC	0	1.00000	0.0046	0.004600
127-476042-03	ELECT. CAP. 47 MFD 16V +-20% C701	PC	0	1.00000	0.0290	0.029000
130-600101-00	INFRARED EMITTER EL-1L1 KODENSHI LED701	PC	0	1.00000	0.1065	0.106500
131-210719-29	TRANSISTOR 2SA719R/S MATSUSHITA Q702	PC	0	1.00000	0.0619	0.061900
131-230945-00	TRANSISTOR 2SC945 NEC Q701	PC	0	1.00000	0.0294	0.029400
133-803010-33	I.C. SAA3010T PHILIPS IC701	PC	0	1.00000	0.8239	0.823900
172-626006-42	UL 1007 TOP COAT WIRE AWG 26 60MM RED 10 X 10 MM P.C.B. (+) TO BATTERY CONTACT PLATE (+)	PC	0	1.00000	0.0021	0.002100
172-626008-40	UL 1007 TOP COAT WIRE AWG 26 80MM BLACK 10 X 10 MM P.C.B. (-) TO BATTERY CONTACT PLATE (-)	PC	0	1.00000	0.0026	0.002600
190-892002-00	REMOTE P.C.B. (200791)	PC	0	1.00000	0.3813	0.381300
516-260408-10	SELF-TAPPING SCREW 2.6 X 8 P/T(HARDEN) CAB. MTG.	PC	0	2.00000	0.0017	0.003400
773-036863-00	BATTERY CONTACT PLATE (A) +-VE	PC	0	1.00000	0.0366	0.036600
773-036864-00	BATTERY CONTACT PLATE +VE	PC	0	1.00000	0.0174	0.017400
774-036862-00	BATTERY CONTACT SPRING -VE	PC	0	1.00000	0.0261	0.026100
810-041104-13	POLYBAG 4" X 11" X 0.04MM W/RE-CYCLING MARK FOR HANDSET	PC	0	1.00000	0.0071	0.007100
849-892002-00	CONTACT RUBBER KEY PAD (34 KEYS)	PC	0	1.00000	0.5040	0.504000
892-892002-12	DIAL KEY PLATE - TEAC DESIGN (RC-551)	PC	0	1.00000	0.1994	0.199400
900-892010-01	HANDSET TOP CABINET - BLACK MOULDED	PC	0	1.00000	0.1951	0.195100
902-892010-01	HANDSET BOTTOM CABINET - BLACKMOULDED	PC	0	1.00000	0.1665	0.166500
910-892001-01	BATTERY DOOR	PC	0	1.00000	0.0461	0.046100
964-892001-00	SENSOR LENS	PC	0	1.00000	0.0406	0.040600

ASSB PRICE : 2.890000

** THIS SPARE LIST IS MADE FOR TECHNICAL / MAINTENANCE REFERENCE ONLY **

Print Date : 26/09/96

PRODUCT CODE : 92132T-050004-TV

Page Number : 3

DESCRIPTION : GT-9213 TEAC PAL/BG W/SCART 1P.TXT GREY 240V SAA.MONO 40P.

Component Part	Description / Location	Unit	Subs	Quantity Required	Unit Price	Amount
*** ASSEMBLY : 180-92132T-05-04 NON-COM PART ASS'Y PAL/BG W/SCART/1P.TXT						
002-114022-40	14" CRT #37SX110Y22-DC05A S/H CAI HONG	PC	0	1.00000	75.0000	75.000000
003-131424-02	TUNER OSCAR UVE33-W24/R16-3649MITSUMI UV201	PC	0	1.00000	10.0500	10.050000
107-105500-66	SOUND TRAP CERAMIC FILTER 5.5MHZ WEI HAW CF201	PC	0	1.00000	0.1374	0.137400
107-305500-16	SOUND BYPASS CERAMIC FILTER 5.5MHZ WEI HAW CF204	PC	0	1.00000	0.1399	0.139900
107-738916-00	SAW FILTER TSF-5316 SANYO SAW201	PC	0	1.00000	1.1874	1.187400
113-104105-17	CARBON FILM RESISTOR 100K OHM 1/4W +-5% R155	PC	0	1.00000	0.0028	0.002800
113-221105-17	CARBON FILM RESISTOR 220 OHM 1/4W +-5% R104	PC	0	1.00000	0.0028	0.002800
113-223101-67	METAL FILM RESISTOR 22K OHM 1/4W +-1% R101	PC	0	1.00000	0.0106	0.010600
162-110010-00	ANTENNA MATCHING TRANSFORMER (300 OHM TO 75 OHM)	PC	0	1.00000	0.1800	0.180000
171-550084-02	84" AC LINE CORD (END-CUT)SAA APPW/7.5A PLUG.	PC	0	1.00000	0.6194	0.619400
186-227503-14	BATTERY 3A PACKING IN GIFT BOX	PC	0	2.00000	0.0639	0.127800
191-400042-07	4 PINS SOCKET ASS'Y AWG 20 420MM	PC	0	1.00000	0.1731	0.173100
610-921301-57	GIFT BOX - TEAC DESIGN	PC	0	1.00000	2.1006	2.100600
663-230543-95	SERIAL NO.LABEL - OC:GT-543/95 IPC STUCK ON CTN,IPC STUCK ON RATING LABEL	PC	0	2.00000	0.0077	0.015400
669-881301-07	RATING LABEL - TEAC DESIGN 240V	PC	0	1.00000	0.0484	0.048400
670-921300-77	I/MANUAL - TEAC DESIGN (40 PROG.)MONO-CHIP	PC	0	1.00000	0.0774	0.077400
678-881303-06	TOTAL CARE STICKER - TEAC DESIGN (BLK & WHITE)	PC	0	1.00000	0.0194	0.019400
678-921301-13	SCREEN STICKER - TEAC DESIGN	PC	0	1.00000	0.4703	0.470300
678-922109-01	EASY TUNE CARD - TEAC DESIGN STCIK TOGETHER WITH SCREEN STICKER	PC	0	1.00000	0.0794	0.079400
690-922139-01	WARRANTY CARD- TEAC (A) DESIGN	PC	0	1.00000	0.0581	0.058100
693-921300-06	EAN CODE LABEL - 9313060006310	PC	0	1.00000	0.0077	0.007700
703-921302-00	SPEAKER GRILLE - SHINY BLACK DOUBLE SIDE W/SPRAY {NEW}	PC	0	2.00000	0.2652	0.530400
782-721952-04	DOUBLE ROD ANTENNA 520MM	PC	0	1.00000	1.5290	1.529000
800-921301-00	POLYFOAM (1)	PC	0	1.00000	0.1897	0.189700
800-921302-00	POLYFOAM (2)	PC	0	1.00000	0.1897	0.189700
800-921303-00	POLYFOAM (3)	PC	0	1.00000	0.1703	0.170300
800-921304-00	POLYFOAM (4)	PC	0	1.00000	0.1703	0.170300
810-091504-13	POLYBAG 9" X 15" X 0.04MM W/ RE-CYCLING MARK FOR INSTRUCTION MANUAL	PC	0	1.00000	0.0165	0.016500
810-303004-14	POLYBAG 30"X30"X0.04MM W/PUNCHHOLE/RE-CYCLING MARK(P/O MAT.) FOR UNIT	PC	0	1.00000	0.1210	0.121000
884-921302-03	PRESET PLATE - BLACK W/L.GREY S.S. ENG STD (12 KEY HOLES)	PC	0	1.00000	0.0968	0.096800
884-921305-02	JACK COVER PLATE - TEAC DESIGN	PC	0	1.00000	0.0232	0.023200
887-921301-00	COVER PLATE	PC	0	1.00000	0.0232	0.023200
889-921302-00	V.HOLD COVER	PC	0	1.00000	0.0194	0.019400
889-922002-00	DOOR LOCKER COVER PLATE	PC	0	1.00000	0.0077	0.007700
900-921303-04	FRONT CABINET - GREY (426U)	PC	0	1.00000	2.9795	2.979500
902-921332-U1	BACK CAB - MOULDED BLACK (PAL)	PC	0	1.00000	2.9419	2.941900

** THIS SPARE LIST IS MADE FOR TECHNICAL / MAINTENANCE REFERENCE ONLY **

Print Date : 26/09/96

PRODUCT CODE : 92132T-050004-TV

Page Number : 4

DESCRIPTION : GT-9213 TEAC PAL/BG W/SCART 1P.TXT GREY 240V SAA.MONO 40P.

Component Part	Description / Location	Unit	Subs	Quantity	Unit Price	Amount
917-921301-08	REMTOE LENS - TEAC DESIGN	PC	0	1.00000	0.1529	0.152900
919-921302-43	PRESET DOOR - TEAC (A) DESIGN W/CABLE READY WORDING	PC	0	1.00000	0.1620	0.162000
939-922001-01	FOOT ADAPTOR - BLACK MOULDED W/GOLD HOT-STAMP	PC	0	2.00000	0.0606	0.121200
991-921302-01	POWER KNOB - BLACK MOULDED W/FINE SAND TEXTURE	PC	0	1.00000	0.0230	0.023000
ASSB PRICE :						99.975600

** THIS SPARE LIST IS MADE FOR TECHNICAL / MAINTENANCE REFERENCE ONLY **

Print Date : 26/09/96 PRODUCT CODE : 92132T-050004-TV
 Page Number : 5 DESCRIPTION : GT-9213 TEAC PAL/BG W/SCART 1P.TXT GREY 240V SAA.MONO 40P.

Component Part	Description / Location	Unit	Subs	Quantity Required	Unit Price	Amount
*** ASSEMBLY : 180-92132T-05-CP COMMON PART ASS'Y (PAL/BG AUST W/SCART/						
001-214189-05	FLYBACK TRANSFORMER 154-189H GOLDSTAR "FOR CAIHONG CRT" T402	PC	0	1.00000	6.3750	6.375000
008-550151-05	DEGAUSSING COIL 40T (W/FIVE LAYERS OF TAPE) L903	PC	0	1.00000	0.8516	0.851600
012-102330-06	SEMI-FIXED RESISTOR EVND2AA 03B13 1KB VR601,602	PC	0	2.00000	0.0571	0.114200
012-102340-06	SEMI-FIXED RESISTOR EVND8AA 03B13 1KB VR402,501	PC	0	2.00000	0.0484	0.096800
012-103340-06	SEMI-FIXED RESISTOR EVND8AA 03B14 10KB VR202	PC	0	1.00000	0.0484	0.048400
012-502330-06	SEMI-FIXED RESISTOR EVND2AA 03B53 5KB VR603,604,605	PC	0	3.00000	0.0571	0.171300
012-502340-06	SEMI-FIXED RESISTOR EVND8AA 03B53 5KB VR201	PC	0	1.00000	0.0484	0.048400
012-503340-06	SEMI-FIXED RESISTOR EVND8AA 03B54 50KB VR101	PC	0	1.00000	0.0484	0.048400
101-191009-96	HORIZONTAL DRIVE TRANSFORMER (R1009) T401	PC	0	1.00000	0.2516	0.251600
101-288820-95	LINE FILTER 70MH T501	PC	0	1.00000	0.6871	0.687100
101-414025-94	SWITCHING POWER TRANSFORMER (HL4025B) T502	PC	0	1.00000	1.9355	1.935500
102-370600-02	TANK COIL / AFC COIL COILS 707851 L204	PC	0	1.00000	0.0890	0.089000
105-100103-08	FIXED INDUCTOR COIL 10 UH +-10% AXIAL L102,205	PC	0	2.00000	0.0462	0.092400
105-109103-08	FIXED INDUCTIVE COIL 1.0UH +-10% (WITTIS) L201,202	PC	0	2.00000	0.0462	0.092400
105-181103-08	FIXED INDUCTOR COIL 180 UH +-10% AXIAL L601	PC	0	1.00000	0.0462	0.046200
105-201106-02	CHOKE COIL 200UH 10% CH9012-201K (ELEC PRODUCT) L502	PC	0	1.00000	0.1695	0.169500
105-399103-08	FIXED INDUCTIVE COIL 3.9 UH +-10% (WITTIS) L901	PC	0	1.00000	0.0462	0.046200
105-650052-01	LINEARITY COIL 34UH FOR 21" CRT L401	PC	0	1.00000	0.3450	0.345000
105-689103-08	FIXED INDUCTOR COIL 6.8 UH +-10% AXIAL L203	PC	0	1.00000	0.0462	0.046200
113-100105-17	CARBON FILM RESISTOR 10 OHM 1/4W +-5% R209	PC	0	1.00000	0.0033	0.003300
113-101105-17	CARBON FILM RESISTOR 100 OHM 1/4W +-5% R137,160,161,208,229,230,231,240,131	PC	0	9.00000	0.0028	0.025200
113-101105-17	CARBON FILM RESISTOR 100 OHM 1/4W +-5% R911,147,148,903	PC	0	4.00000	0.0028	0.011200
113-102105-17	CARBON FILM RESISTOR 1K OHM 1/4W +-5% R106,138,139,157,216,221,225,233,275,905,283,256	PC	0	12.00000	0.0028	0.033600
113-102105-17	CARBON FILM RESISTOR 1K OHM 1/4W +-5% R207,254,255,281,W028	PC	0	5.00000	0.0028	0.014000

** THIS SPARE LIST IS MADE FOR TECHNICAL / MAINTENANCE REFERENCE ONLY **

Print Date : 26/09/96 PRODUCT CODE : 92132T-050004-TV
 Page Number : 6 DESCRIPTION : GT-9213 TEAC PAL/BG W/SCART 1P.TXT GREY 240V SAA.MONO 40P.

Component Part	Description / Location	Unit	Subs	Quantity Required	Unit Price	Amount
113-102305-75	METAL OXIDE FILM RESISTOR 1K OHM 1W +-5% R432	PC	0	1.00000	0.0188	0.018800
113-103101-67	METAL FILM RESISTOR 10K OHM 1/4W +-1% R102	PC	0	1.00000	0.0106	0.010600
113-103105-17	CARBON FILM RESISTOR 10K OHM 1/4W +-5% R103,105,140,201,415,113,123,249,914,627,165	PC	0	11.00000	0.0028	0.030800
113-103105-17	CARBON FILM RESISTOR 10K OHM 1/4W +-5% R424,425,508,528,154,141,252,253	PC	0	8.00000	0.0028	0.022400
113-103205-12	CARBON FILM RESISTOR 10K OHM 1/2 +-5% R411	PC	0	1.00000	0.0062	0.006200
113-103405-75	METAL OXIDE FILM RESISTOR 10K OHM 2W +-5% R526	PC	0	1.00000	0.0252	0.025200
113-104105-17	CARBON FILM RESISTOR 100K OHM 1/4W +-5% R107,108,119,239,243,244,417	PC	0	7.00000	0.0028	0.019600
113-104205-12	CARBON FILM RESISTOR 100K OHM 1/2W +-5% R521	PC	0	1.00000	0.0062	0.006200
113-104305-75	METAL OXIDE FILM RESISTOR 100KOHM 1W +-5% R531	PC	0	1.00000	0.0188	0.018800
113-105101-67	METAL FILM RESISTOR 1M OHM 1/4W +-1% R246	PC	0	1.00000	0.0116	0.011600
113-120305-75	METAL OXIDE FILM RESISTOR 12 OHM 1W +-5% R512	PC	0	1.00000	0.0188	0.018800
113-120405-75	METAL OXIDE FILM RESISTOR 12 OHM 2W +-5% R519	PC	0	1.00000	0.0252	0.025200
113-121105-17	CARBON FILM RESISTOR 120 OHM 1/4W +-5% R262	PC	0	1.00000	0.0028	0.002800
113-122105-17	CARBON FILM RESISTOR 1.2K OHM 1/4W +-5% R206,248,617,162	PC	0	4.00000	0.0028	0.011200
113-123105-17	CARBON FILM RESISTOR 12K OHM 1/4W +-5% R210,251	PC	0	2.00000	0.0028	0.005600
113-151105-17	CARBON FILM RESISTOR 150 OHM 1/4W +-5% R223	PC	0	1.00000	0.0028	0.002800
113-151205-12	CARBON FILM RESISTOR 150 OHM 1/2W +-5% R421	PC	0	1.00000	0.0052	0.005200
113-152105-17	CARBON FILM RESISTOR 1.5K OHM 1/4W +-5% R622,621,250	PC	0	3.00000	0.0028	0.008400
113-152205-12	CARBON FILM RESISTOR 1K5 OHM 1/2W +-5% R610,611,612,420	PC	0	4.00000	0.0062	0.024800
113-153105-17	CARBON FILM RESISTOR 15K OHM 1/4W +-5% R245,402	PC	0	2.00000	0.0028	0.005600
113-153405-75	METAL OXIDE FILM RESISTOR 15K OHM 2W +-5% R604,605,606	PC	0	3.00000	0.0252	0.075600
113-159405-42	NON-FLAMMABLE FUSE RESISTOR 1.5 OHM 2W +-5% R620	PC	0	1.00000	0.0735	0.073500
113-180105-17	CARBON FILM RESISTOR 18 OHM 1/4 +- 5% R26A	PC	0	1.00000	0.0029	0.002900
113-181105-17	CARBON FILM RESISTOR 180 OHM 1/4W +-5% R222	PC	0	1.00000	0.0028	0.002800
113-182105-17	CARBON FILM RESISTOR 1.8K OHM 1/4W +-5% R506,602,274	PC	0	3.00000	0.0028	0.008400

** THIS SPARE LIST IS MADE FOR TECHNICAL / MAINTENANCE REFERENCE ONLY **

Print Date : 26/09/96

PRODUCT CODE : 92132T-050004-TV

Page Number : 7

DESCRIPTION : GT-9213 TEAC PAL/BG W/SCART 1P.TXT GREY 240V SAA.MONO 40P.

Component Part	Description / Location	Unit	Subs	Quantity Required	Unit Price	Amount
113-183105-17	CARBON FILM RESISTOR 18K OHM 1/4W +-5% R721,418	PC	0	2.00000	0.0028	0.005600
113-184105-17	CARBON FILM RESISTOR 180K OHM 1/4W +-5% R120	PC	0	1.00000	0.0028	0.002800
113-184205-12	CARBON FILM RESISTOR 180K OHM 1/2W +-5% R410	PC	0	1.00000	0.0062	0.006200
113-221105-17	CARBON FILM RESISTOR 220 OHM 1/4W +-5% R142,238,213,908,909,910	PC	0	6.00000	0.0028	0.016800
113-221305-75	METAL OXIDE FILM RESISTOR 220 OHM 1W +-5% R419	PC	0	1.00000	0.0188	0.018800
113-222105-17	CARBON FILM RESISTOR 2.2K OHM 1/4W +-5% R130,224,151	PC	0	3.00000	0.0028	0.008400
113-222205-12	CARBON FILM RESISTOR 2.2K OHM 1/2W +-5% R715	PC	0	1.00000	0.0062	0.006200
113-223101-67	METAL FILM RESISTOR 22K OHM 1/4W +-1% R412,111	PC	0	2.00000	0.0106	0.021200
113-223105-17	CARBON FILM RESISTOR 22K OHM 1/4W +-5% R109,110,114,143,144,146,158,124,150,525,722,713	PC	0	12.00000	0.0028	0.033600
113-223105-17	CARBON FILM RESISTOR 22K OHM 1/4W +-5% R912,278	PC	0	2.00000	0.0028	0.005600
113-224105-17	CARBON FILM RESISTOR 220K OHM 1/4W +-5% R719	PC	0	1.00000	0.0028	0.002800
113-229205-12	CARBON FILM RESISTOR 2.2 OHM 1/2W +-5% R279	PC	0	1.00000	0.0062	0.006200
113-229305-75	METAL OXIDE FILM RESISTOR 2.2 OHM 1W +-5% R426	PC	0	1.00000	0.0188	0.018800
113-229405-75	METAL OXIDE FILM RESISTOR 2.2 OHM 2W +-5% R503,427	PC	0	2.00000	0.0252	0.050400
113-270405-75	METAL OXIDE FILM RESISTOR 27 OHM 2W +-5% R513	PC	0	1.00000	0.0252	0.025200
113-271105-17	CARBON FILM RESISTOR 270 OHM 1/4W +-5% R134,135,136	PC	0	3.00000	0.0028	0.008400
113-272105-17	CARBON FILM RESISTOR 2.7K OHM 1/4W +-5% R618,613,614,615,61	PC	0	5.00000	0.0028	0.014000
113-272205-12	CARBON FILM RESISTOR 2.7K OHM 1/2W +-5% R403,520	PC	0	2.00000	0.0062	0.012400
113-273105-17	CARBON FILM RESISTOR 27K OHM 1/4W +-5% R211,241,902	PC	0	3.00000	0.0028	0.008400
113-331105-17	CARBON FILM RESISTOR 330 OHM 1/4W +-5% R509	PC	0	1.00000	0.0028	0.002800
113-332101-67	METAL FILM RESISTOR 3.3K OHM 1/4W +-1% R266	PC	0	1.00000	0.0106	0.010600
113-332102-17	CARBON FILM RESISTOR 3.3K OHM 1/4W +-2% R505	PC	0	1.00000	0.0045	0.004500
113-332105-17	CARBON FILM RESISTOR 3.3K OHM 1/4W +-5% R152,153,235,269,901	PC	0	5.00000	0.0028	0.014000
113-332605-75	METAL OXIDE FILM RESISTOR 3K3 OHM 5W +-5% R406	PC	0	1.00000	0.1026	0.102600
113-333105-17	CARBON FILM RESISTOR 33K OHM 1/4W +-5% R416	PC	0	1.00000	0.0028	0.002800

** THIS SPARE LIST IS MADE FOR TECHNICAL / MAINTENANCE REFERENCE ONLY **

Print Date : 26/09/96

PRODUCT CODE : 92132T-050004-TV

Page Number : 8

DESCRIPTION : GT-9213 TEAC PAL/BG W/SCART 1P.TXT GREY 240V SAA.MONO 40P.

Component Part	Description / Location	Unit	Subs	Quantity Required	Unit Price	Amount
113-334305-75	METAL OXIDE FILM RESISTOR 330KOHM 1W +-5% R514,404	PC	0	2.00000	0.0188	0.037600
113-338405-75	METAL OXIDE FILM RESISTOR 0.330HM 2W +-5% R516	PC	0	1.00000	0.0252	0.025200
113-339105-17	CARBON FILM RESISTOR 3.3 OHM 1/4W +- 5% R720	PC	0	1.00000	0.0028	0.002800
113-339405-42	NON-FLAMMABLE FUSE RESISTOR 3.3 OHM 2W +-5% R716	PC	0	1.00000	0.0252	0.025200
113-390605-75	METAL OXIDE FILM RESISTOR 39 OHM 5W +-5% R517	PC	0	1.00000	0.1026	0.102600
113-391105-17	CARBON FILM RESISTOR 390 OHM 1/4W +-5% R607,608,609,112	PC	0	4.00000	0.0028	0.011200
113-391305-75	METAL OXIDE FILM RESISTOR 390 1W +-5% R270	PC	0	1.00000	0.0203	0.020300
113-392105-17	CARBON FILM RESISTOR 3.9K OHM 1/4W +-5% R414	PC	0	1.00000	0.0028	0.002800
113-393105-17	CARBON FILM RESISTOR 39K OHM 1/4W +-5% R232	PC	0	1.00000	0.0028	0.002800
113-470105-17	CARBON FILM RESISTOR 47 OHM 1/4W +-5% R220,204	PC	0	2.00000	0.0028	0.005600
113-470205-12	CARBON FILM RESISTOR 47 OHM 1/2W +-5% R405	PC	0	1.00000	0.0058	0.005800
113-470405-75	METAL OXIDE FILM RESISTOR 47 OHM 2W +-5% R530	PC	0	1.00000	0.0252	0.025200
113-471105-17	CARBON FILM RESISTOR 470 OHM 1/4W +-5% R601	PC	0	1.00000	0.0028	0.002800
113-472105-17	CARBON FILM RESISTOR 4.7K OHM 1/4W +-5% R228,205,267,247,422,511,906,907,115	PC	0	9.00000	0.0028	0.025200
113-473105-17	CARBON FILM RESISTOR 47K OHM 1/4W +-5% R202,203,159,149,277,626	PC	0	6.00000	0.0028	0.016800
113-479605-51	WIRE WOUND CEMENT RES. 4.7 OHM5W +-5% R502	PC	0	1.00000	0.1355	0.135500
113-512105-17	CARBON FILM RESISTOR 5.1K OHM 1/4W +-5% R276	PC	0	1.00000	0.0028	0.002800
113-560105-17	CARBON FILM RESISTOR 56 OHM 1/4W +-5% R260	PC	0	1.00000	0.0028	0.002800
113-561105-17	CARBON FILM RESISTOR 560 OHM 1/4W +-5% R298,299	PC	0	2.00000	0.0028	0.005600
113-562105-17	CARBON FILM RESISTOR 5.6K OHM 1/4W +-5% R723,724	PC	0	2.00000	0.0028	0.005600
113-565210-92	CARBON COMPOSITION RESISTOR 5.6M OHM 1/2W +-10% R523,524	PC	0	2.00000	0.0639	0.127800
113-681105-17	CARBON FILM RESISTOR 680 OHM 1/4W +-5% R156	PC	0	1.00000	0.0028	0.002800
113-682102-17	CARBON FILM RESISTOR 6.8K OHM 1/4W +-2% R504	PC	0	1.00000	0.0048	0.004800
113-682105-17	CARBON FILM RESISTOR 6.8K OHM 1/4W +-5% R510,227,280,712	PC	0	4.00000	0.0028	0.011200
113-683105-17	CARBON FILM RESISTOR 68K OHM 1/4W +-5% R125	PC	0	1.00000	0.0028	0.002800

** THIS SPARE LIST IS MADE FOR TECHNICAL / MAINTENANCE REFERENCE ONLY **

Print Date : 26/09/96 PRODUCT CODE : 92132T-050004-TV
 Page Number : 9 DESCRIPTION : GT-9213 TEAC PAL/BG W/SCART. 1P.TXT GREY 240V SAA.MONO 40P.

Component Part	Description / Location	Unit	Subs	Quantity Required	Unit Price	Amount
113-688205-42	FUSING RESISTOR 0.68 OHM 1/2W +-5% R518	PC	0	1.00000	0.0435	0.043500
113-688305-42	FUSING RESISTOR 0.68 OHM 1W +-5% R529,408,409	PC	0	3.00000	0.0552	0.165600
113-750105-17	CARBON FILM RESISTOR 75 OHM 1/4W +-5% R257,258,259,261,226	PC	0	5.00000	0.0028	0.014000
113-821105-17	CARBON FILM RESISTOR 820 OHM 1/4W +-5% R212	PC	0	1.00000	0.0028	0.002800
113-822105-17	CARBON FILM RESISTOR 8.2K OHM 1/4W +-5% R507,273	PC	0	2.00000	0.0028	0.005600
113-823105-17	CARBON FILM RESISTOR 82K OHM 1/4W +-5% R237	PC	0	1.00000	0.0028	0.002800
113-824105-17	CARBON FILM RESISTOR 820K OHM 1/4W +-5% R242,264	PC	0	2.00000	0.0028	0.005600
114-210200-01	THERMISTOR (NICHICON ZPB53 BL 200C) R501	PC	0	1.00000	0.4587	0.458700
123-100340-93	CERAMIC CAP. 10 PF 50V +-5% (NPO) C902	PC	0	1.00000	0.0112	0.011200
123-101350-60	CERAMIC CAP. 100 PF 50V +-10% (SL TYPE) C116,117,118,119,121	PC	0	5.00000	0.0108	0.054000
123-102350-90	CERAMIC CAP. 0.001 MFD 50V +-10% (B TYPE) C207,215,210,235,236,417,401,904	PC	0	8.00000	0.0099	0.079200
123-102850-10	CERAMIC CAP. 0.001 MFD 2KV +-10% MATSUSHITA C604	PC	0	1.00000	0.1103	0.110300
123-103370-90	CERAMIC CAP. 0.01 MFD 50V +80 -20% C120,208,209,125,757	PC	0	5.00000	0.0112	0.056000
123-104270-90	CERAMIC CAP. 0.1 MFD 25V +80 -20% C110,111,112,127,226,227,228,231,244,242,748	PC	0	11.00000	0.0395	0.434500
123-104270-90	CERAMIC CAP. 0.1 MFD 25V +80 -20% C245,246,258,263,427,429,430,519,520,734,750	PC	0	11.00000	0.0395	0.434500
123-104270-90	CERAMIC CAP. 0.1 MFD 25V +80 -20% C901,905,906,907,908,910	PC	0	6.00000	0.0395	0.237000
123-150340-93	CERAMIC CAP. 15 PF 50V +-5% (NPO) C214,249,903	PC	0	3.00000	0.0112	0.033600
123-152850-10	CERAMIC CAP. 0.0015 MFD 2KV +-10% MATSUSHITA C433	PC	0	1.00000	0.1374	0.137400
123-182850-10	CERAMIC CAP. 0.0018 MFD 2KV +-10% MATSUSHITA C405	PC	0	1.00000	0.1258	0.125800
123-221350-60	CERAMIC CAP. 220 PF 50V +-10% (SL TYPE) C601,602,603	PC	0	3.00000	0.0129	0.038700
123-221551-90	CERAMIC CAP. 220 PF 500V +-10% MATSUSHITA C513	PC	0	1.00000	0.0377	0.037700
123-222350-90	CERAMIC CAP. 0.0022 MFD 50V +-10% (B TYPE) C128	PC	0	1.00000	0.0111	0.011100
123-222466-41	CERAMIC CAP. 0.0022 MFD 400V +-20% ECK-DNS222MEX MATSUSHITA C512	PC	0	1.00000	0.1665	0.166500
123-222466-41	CERAMIC CAP. 0.0022 MFD 400V +-20% ECK-DNS222MEX MATSUSHITA C523	PC	0	1.00000	0.1665	0.166500
123-223370-90	CERAMIC CAP. 0.022 MFD 50V +80-20% C211,261,234,237,250,256,232,243	PC	0	8.00000	0.0120	0.096000

** THIS SPARE LIST IS MADE FOR TECHNICAL / MAINTENANCE REFERENCE ONLY **

Print Date : 26/09/96 PRODUCT CODE : 92132T-050004-TV
 Page Number : 10 DESCRIPTION : GT-9213 TEAC PAL/BG W/SCART 1P.TXT GREY 240V SAA.MONO 40P.

Component Part	Description / Location	Unit	Subs	Quantity Required	Unit Price	Amount
123-270340-93	CERAMIC CAP. 27PF 50V +-5% (NPO) C122,123	PC	0	2.00000	0.0112	0.022400
123-470340-93	CERAMIC CAP. 47 PF 50V +-5% (NPO) C217	PC	0	1.00000	0.0117	0.011700
123-471350-60	CERAMIC CAP. 470 PF 50V +-10% (SL TYPE) C758,759	PC	0	2.00000	0.0169	0.033800
123-472550-90	CERAMIC CAP. 0.0047 MFD 500V +-10% (B TYPE) C410,411,515	PC	0	3.00000	0.1200	0.360000
123-472552-90	CERAMIC CAP. 0.0047 MFD 500V +-10% (B TYPE) SMALL SIZE C503,504,505	PC	0	3.00000	0.0555	0.166500
123-681350-90	CERAMIC CAP. 680 PF 50V +-10% (B TYPE) C423	PC	0	1.00000	0.0099	0.009900
123-821850-10	CERAMIC CAP. 820 PF 2KV +-10% (SL TYPE) MATSUSHITA C516	PC	0	1.00000	0.0948	0.094800
126-104071-01	MYLAR CAP. 0.1 MFD 50V +-10% C218,416,510,101,255, FOR DY VERT	PC	0	6.00000	0.0292	0.175200
126-104101-31	POLYPROPYLENE CAP. 0.1 MFD 100V +-10% C412	PC	0	1.00000	0.1109	0.110900
126-222071-01	MYLAR CAP. 0.0022 MFD 50V +-10% C114,754,251	PC	0	3.00000	0.0126	0.037800
126-222161-41	METALIZED POLYPROPYLENE CAP. 0.0022 MFD 1600V +-10% C402,511	PC	0	2.00000	0.2285	0.457000
126-223071-01	MYLAR CAP. 0.022 MFD 50V +-10% C220,909	PC	0	2.00000	0.0163	0.032600
126-224071-01	MYLAR CAP 0.22 MFD 50V +-10% C102,201,752,418	PC	0	4.00000	0.0480	0.192000
126-333071-01	MYLAR CAP. 0.033 MFD 50V +-10% C507	PC	0	1.00000	0.0174	0.017400
126-392071-01	MYLAR CAP. 0.0039 MFD 50V +-10% C213	PC	0	1.00000	0.0126	0.012600
126-472071-01	MYLAR CAP. 0.0047 MFD 50V +-10% C247,253,254,736,421,422	PC	0	6.00000	0.0126	0.075600
126-472160-41	METALLIZED POLYPROPYLENE CAP. 0.0047 MFD 1600V +-5% C404	PC	0	1.00000	0.2885	0.288500
126-473071-01	MYLAR CAP. 0.047 MFD 50V +-10% C223,224	PC	0	2.00000	0.0234	0.046800
126-473201-31	POLYPROPYLENE CAP. 0.047 MFD 200V +-10% C403	PC	0	1.00000	0.0801	0.080100
126-473211-41	METALLIZED POLYPROPYLENE CAP 0.047 MFD 250V +-10% VDE C502,501	PC	0	2.00000	0.1350	0.270000
126-474071-01	MYLAR CAP. 0.47 MFD 50V +-10% C222	PC	0	1.00000	0.0757	0.075700
126-474201-31	POLYPROPYLENE CAP 0.47 MFD 200V +-10% C413	PC	0	1.00000	0.2639	0.263900
127-105071-05	ELECT CAP. 1 MFD 50V +-10% (TIME CONSTANT) C419	PC	0	1.00000	0.0590	0.059000
127-105072-03	ELECT. CAP. 1 MFD 50V +-20% C202,203,204,225,230,252,749,426,518	PC	0	9.00000	0.0203	0.182700
127-105132-03	ELECT. CAP. 1 MFD 160V +-20% C414	PC	0	1.00000	0.0494	0.049400

** THIS SPARE LIST IS MADE FOR TECHNICAL / MAINTENANCE REFERENCE ONLY **

Print Date : 26/09/96

PRODUCT CODE : 92132T-050004-TV

Page Number : 11

DESCRIPTION : GT-9213 TEAC PAL/BG W/SCART 1P.TXT GREY 240V SAA.MONO 40P.

Component Part	Description / Location	Unit	Subs	Quantity Required	Unit Price	Amount
127-106042-03	ELECT. CAP. 10 MFD 16V +-20% C104,105,273,219,229,260,124,264	PC	0	8.00000	0.0203	0.162400
127-106102-03	ELECT CAP. 10MFD 100V +-20% NICHICON C509	PC	0	1.00000	0.0494	0.049400
127-106252-03	ELECT. CAP. 10 MFD 250V +-20% C407	PC	0	1.00000	0.1394	0.139400
127-107042-03	ELECT. CAP. 100 MFD 16V +-20% C431,432,521,428,605	PC	0	5.00000	0.0348	0.174000
127-107062-03	ELECT. CAP. 100 MFD 35V +-20% C425	PC	0	1.00000	0.0523	0.052300
127-107132-03	ELECT. CAP. 100 MFD 160V +-20%"NICHICON" C408,517	PC	0	2.00000	0.3329	0.665800
127-107402-03	ELECT. CAP. 100 MFD 400V +-20% C506	PC	0	1.00000	1.0742	1.074200
127-108052-03	ELECT. CAP. 1000 MFD 25V +-20% C406,733	PC	0	2.00000	0.1452	0.290400
127-225042-23	ELECT. CAP. BIPOLAR 2.2MFD 16V+-20% C216	PC	0	1.00000	0.0658	0.065800
127-225072-03	ELECT. CAP 2.2 MFD 50V +-20% C205,126,259,262,257	PC	0	5.00000	0.0203	0.101500
127-226042-03	ELECT. CAP. 22 MFD 16V +-20% C109,753	PC	0	2.00000	0.0203	0.040600
127-227042-03	ELECT. CAP. 220 MFD 16V +-20% C221	PC	0	1.00000	0.0561	0.056100
127-227062-03	ELECT. CAP. 220 MFD 35V +-20% C424,514	PC	0	2.00000	0.0716	0.143200
127-228052-03	ELECT. CAP. 2200 MFD 25V +-20% C420	PC	0	1.00000	0.3213	0.321300
127-476042-03	ELECT. CAP. 47 MFD 16V +-20% C206,233,265,266,267,212,911	PC	0	7.00000	0.0290	0.203000
127-476072-07	ELECT.CAP. 47 MFD 50V +-20% NICHICON C508,745	PC	0	2.00000	0.0406	0.081200
127-477062-03	ELECT CAP. 470 MFD 35V +-20% C434,751	PC	0	2.00000	0.1200	0.240000
130-134148-01	SILICON DIODE IN4148 D101,102,105,111,112,113,116,208,210,408,217,114	PC	0	12.00000	0.0095	0.114000
130-134148-01	SILICON DIODE IN4148 D103,117,118,119,209,605,606,607,121,129	PC	0	10.00000	0.0095	0.095000
130-310012-50	DIODE BAX12A D407	PC	0	1.00000	0.0451	0.045100
130-310033-50	DIODE BYD33D D403,404,405,510	PC	0	4.00000	0.0590	0.236000
130-310062-50	DIODE BAW 62 D203,204,205,206,401,402	PC	0	6.00000	0.0095	0.057000
130-310095-50	DIODE BYW95B D511	PC	0	1.00000	0.1738	0.173800
130-310133-50	DIODE BYD33J D406,507,508,509	PC	0	4.00000	0.0726	0.290400
130-311441-64	BRIDGE RECTIFIER 1J4B41 TOSHIBA D501	PC	0	1.00000	0.3450	0.345000

** THIS SPARE LIST IS MADE FOR TECHNICAL / MAINTENANCE REFERENCE ONLY **

Print Date : 26/09/96

PRODUCT CODE : 92132T-050004-TV

Page Number : 12

DESCRIPTION : GT-9213 TEAC PAL/BG W/SCART 1P.TXT GREY 240V SAA.MONO 40P.

Component Part	Description / Location	Unit	Subs	Quantity Required	Unit Price	Amount
130-410039-01	ZENER DIODE 3.9V D211	PC	0	1.00000	0.0232	0.023200
130-410051-01	ZENER DIODE 5.1V 1/2W +-5% D212	PC	0	1.00000	0.0232	0.023200
130-410075-01	ZENER DIODE 7.5V 1/2W D213	PC	0	1.00000	0.0232	0.023200
130-410082-01	ZENER DIODE 8.2V D505	PC	0	1.00000	0.0232	0.023200
130-410120-02	ZENER DIODE 12V HZ12A2 D608	PC	0	1.00000	0.0232	0.023200
130-410574-00	ZENER DIODE UPC 574J NEC U502	PC	0	1.00000	0.1587	0.158700
130-411091-01	ZENER DIODE 9.1V D506	PC	0	1.00000	0.0232	0.023200
130-512044-00	LED 3MM RED 204HDC FOR LED 601	PC	0	1.00000	0.0261	0.026100
131-111402-03	TRANSISTOR ED1402C Q102, 103, 104, 105, 202, 208, 207, 211, 210, 209, 606	PC	0	11.00000	0.0339	0.372900
131-111602-03	TRANSISTOR ED1602C (PHILIPS) Q106, 107, 108	PC	0	3.00000	0.0335	0.100500
131-170547-02	TRANSISTOR BC 547B PHILIPS Q501, 503	PC	0	2.00000	0.0315	0.063000
131-170548-02	TRANSISTOR BC 548B PHILIPS. Q204, 205, 901	PC	0	3.00000	0.0285	0.085500
131-170557-02	TRANSISTOR BC 557B PHILIPS Q502	PC	0	1.00000	0.0315	0.031500
131-170558-02	TRANSISTOR BC 558B PHILIPS Q604	PC	0	1.00000	0.0285	0.028500
131-190370-00	TRANSISTOR BF 370 PHILIPS. Q201	PC	0	1.00000	0.0705	0.070500
131-190422-00	TRANSISTOR BF422 PHILIPS Q601, 602, 603	PC	0	3.00000	0.0720	0.216000
131-202508-62	TRANSISTOR BU 2508 DF PHILIPS Q402	PC	0	1.00000	0.9290	0.929000
131-232482-00	TRANSISTOR 2SC2482 TOSHIBA Q401	PC	0	1.00000	0.0930	0.093000
131-235287-01	TRANSISTOR 2SC5287 SANKEN Q504	PC	0	1.00000	0.7839	0.783900
131-265401-00	TRANSISTOR 2N 5401 PHILIPS Q506	PC	0	1.00000	0.0501	0.050100
131-265551-00	TRANSISTOR 2N 5551 PHILIPS Q505	PC	0	1.00000	0.0501	0.050100
131-370135-00	TRANSISTOR BD 135 PHILIPS Q701	PC	0	1.00000	0.1223	0.122300
131-462369-00	TRANSISTOR PH2369 PHILIPS Q101	PC	0	1.00000	0.0540	0.054000
131-480011-00	TRANSISTOR BUT 11 PHILIPS Q507	PC	0	1.00000	0.4045	0.404500
133-100322-33	PHILIPS IC PCA CTV322S U101	PC	0	1.00000	4.0448	4.044800

** THIS SPARE LIST IS MADE FOR TECHNICAL / MAINTENANCE REFERENCE ONLY **

Print Date : 26/09/96

PRODUCT CODE : 92132T-050004-TV

Page Number : 13

DESCRIPTION : GT-9213 TEAC PAL/BG W/SCART 1P.TXT GREY 240V SAA.MONO 40P.

Component Part	Description / Location	Unit	Subs	Quantity Required	Unit Price	Amount
133-102411-31	I.C. ST24C01B1 SGS U102	PC	0	1.00000	0.6300	0.630000
133-104665-33	I.C. TDA4665 (PHILIPS IC) U202	PC	0	1.00000	1.5290	1.529000
133-115254-33	I.C. SAA5254P/T PHILIPS U901	PC	0	1.00000	7.3568	7.356800
133-118362-33	I.C. TDA8362 N4S7 PHILIPS U201	PC	0	1.00000	6.5168	6.516800
133-201013-33	I.C. TDA1013B PHILIPS U705	PC	0	1.00000	0.6000	0.600000
133-203653-33	I.C. TDA3653B PHILIPS U401	PC	0	1.00000	0.5694	0.569400
133-207805-31	I.C. L7805CV SGS U501	PC	0	1.00000	0.2100	0.210000
133-207808-31	IC L7808C-V SGS-THOMSON U405	PC	0	1.00000	0.2100	0.210000
133-207812-31	IC L7812CV SGS-THOMSON U402	PC	0	1.00000	0.2100	0.210000
133-304241-33	I.C. PC74HCT241P PHILIPS U902	PC	0	1.00000	0.3147	0.314700
133-404053-33	I.C. HEF4053BP PHILIPS U204	PC	0	1.00000	0.2247	0.224700
136-500001-00	REMOTE RECEIVER (KODENSHI OPT601	PC	0	1.00000	1.0645	1.064500
137-100000-31	CRYSTAL 10 MHZ HOORAY X101	PC	0	1.00000	0.3097	0.309700
137-270000-33	CRYSTAL 27 MHZ 16PF "GIC" X901	PC	0	1.00000	0.3290	0.329000
137-443618-20	CRYSTAL 4.43 MHZ X201	PC	0	1.00000	0.4645	0.464500
146-100006-14	POWER SWITCH PS5E-B SWS01	PC	0	1.00000	1.0161	1.016100
146-104614-13	TACT SWITCH #KSM-0614A S601,602,603,604,605,606,608,609,610,611,613,614	PC	0	12.00000	0.0677	0.812400
160-101001-08	PIN CONNECTOR 1 PIN PLUG FOR CN601,501,502	PC	0	3.00000	0.0135	0.040500
160-102255-27	PIN CONNECTOR 2 PINS PLUG CN702,101,701	PC	0	3.00000	0.0135	0.040500
160-102805-08	PIN CONNECTOR 2 PIN PLUG CN503	PC	0	1.00000	0.0271	0.027100
160-104255-27	PIN CONNECTOR 4 PINS PLUG CN103	PC	0	1.00000	0.0271	0.027100
160-104805-08	PIN CONNECTOR 4 PIN PLUG CN401	PC	0	1.00000	0.0515	0.051500
160-105255-27	PIN CONNECTOR 5 PINS WAFER CN201	PC	0	1.00000	0.0339	0.033900
160-108255-27	PIN CONNECTOR 8 PINS PLUG CN102	PC	0	1.00000	0.0542	0.054200
161-540105-00	CRT SOCKET ISL-01 IN CHANG SK601	PC	0	1.00000	0.6194	0.619400

** THIS SPARE LIST IS MADE FOR TECHNICAL / MAINTENANCE REFERENCE ONLY **

Print Date : 26/09/96 PRODUCT CODE : 92132T-050004-TV
 Page Number : 14 DESCRIPTION : GT-9213 TEAC PAL/BG W/SCART 1P.TXT GREY 240V SAA.MONO 40P.

Component Part	Description / Location	Unit	Subs	Quantity Required	Unit Price	Amount
161-683702-22	21 PIN SOCKET SK201	PC	0	1.00000	0.2903	0.290300
166-182030-00	SPEAKER 3" 8 OHM 2W	PC	0	2.00000	0.5884	1.176800
172-620005-40	UL 1007 TOP COAT WIRE AWG 20 50MM BLACK 5 X 5MM FROM U705 PIN '1' TO PIN '9'	PC	0	1.00000	0.0036	0.003600
172-620012-40	UL 1007 TOP COAT WIRE AWG 20 120MM BLACK 10 X 10 MM MAIN P.C.B. 'E1' TO 'E2'	PC	0	1.00000	0.0078	0.007800
172-620036-40	UL 1007 TOP COAT WIRE AWG 20 360MM BLACK 10 X 10MM CN402 '2' TO CRT P.C.B. 'GND'	PC	0	1.00000	0.0222	0.022200
172-626008-40	UL 1007 TOP COAT WIRE AWG 26 80MM BLACK 10 X 10 MM Q402 LUG TO PCB 'K',Q504 LUG TO PCB 'L'	PC	0	3.00000	0.0026	0.007800
172-626008-40	UL 1007 TOP COAT WIRE AWG 26 80MM BLACK 10 X 10 MM U401 LUG TO PCB 'M'	PC	0	0.00000	0.0026	0.000000
172-626008-46	UL 1007 TOP COAT WIRE AWG 26 80 MM BLUE 10 X 10 MM MAIN P.C.B. 'Q' TO Q'	PC	0	1.00000	0.0026	0.002600
172-626018-42	UL 1007 TOP COAT WIRE AWG 26 180MM RED 10 X 10 MM MAIN PCB 'W1' TO 'W2'	PC	0	1.00000	0.0051	0.005100
172-626022-46	UL 1007 TOP COAT WIRE AWG 26 220MM BLUE 10 X 10 MM MAIN PCB 'R2' TO 'R2'	PC	0	1.00000	0.0061	0.006100
172-626026-42	UL 1007 TOP COAT WIRE AWG 26 260MM RED MAIN PCB 'C1' TO 'C3'	PC	0	1.00000	0.0071	0.007100
172-626030-42	UL 1007 TOP COAT WIRE AWG 26 300MM RED MAIN P.C.B. '0' TO '0'	PC	0	1.00000	0.0081	0.008100
172-626036-40	UL1007 TOP COAT WIRE AWG26 360MM BLACK 10 X 10MM FROM U401 PIN 8 TO CRT PCB 'F'	PC	0	1.00000	0.0096	0.009600
172-626036-43	UL 1007 TOP COAT WIRE AWG 26 360MM ORANGE 10 X 10MM CN402 '1' TO CRT P.C.B. 'F.F.'	PC	0	1.00000	0.0096	0.009600
172-626036-44	UL 1007 TOP COAT WIRE AWG 26 360MM YELLOW 10 X 10MM CN402 '3' TO CRT P.C.B. '180V'	PC	0	1.00000	0.0096	0.009600
172-726000-99	BARE WIRE 54MM W001-8,015,017-021,027,030,032-040,042-046	M	0	4.10400	0.0093	0.038167
172-726000-99	BARE WIRE 54MM W048-050,070-078,080,082-0,86,089,092-093,095,110	M	0	0.00000	0.0093	0.000000
172-726000-99	BARE WIRE 54MM W096-097,099,103-104,601,067-068,053-055,057-061	M	0	0.00000	0.0093	0.000000
172-726000-99	BARE WIRE 54MM W107,047,079,087,122,123	M	0	0.00000	0.0093	0.000000
172-830080-99	FLAT BRIDED WIRE 1200MM CRT GROUND	M	0	0.80000	0.1374	0.109920
177-655263-05	5 PIN FLAT CABLE WIRE CN202 '1' TO CN203 '1',CN202 '2' TO CN203 '2'	PC	0	1.00000	0.0629	0.062900
177-655263-05	5 PIN FLAT CABLE WIRE CN202 '3' TO CN203 '3',CN202 '4' TO CN203 '4'	PC	0	0.00000	0.0629	0.000000
177-655263-05	5 PIN FLAT CABLE WIRE CN202 '5' TO CN203 '5'	PC	0	0.00000	0.0629	0.000000
179-001010-00	OIL SLEEVING 1 MM DIA. 20MM FOR R26A,20MM FOR DS11,20MM FOR BR501	M	0	0.12000	0.0001	0.000012
179-001010-00	OIL SLEEVING 1 MM DIA. 20MM FOR RS16, 20MM FOR R406, 20MM FOR R411	M	0	0.00000	0.0001	0.000000

** THIS SPARE LIST IS MADE FOR TECHNICAL / MAINTENANCE REFERENCE ONLY **

Print Date : 26/09/96

PRODUCT CODE : 92132T-050004-TV

Page Number : 15

DESCRIPTION : GT-9213 TEAC PAL/BG W/SCART 1P.TXT GREY 240V SAA.MONO 40P.

Component Part	Description / Location	Unit	Subs	Quantity Required	Unit Price	Amount
179-105000-00	UL PVC TUBE 5MM DIA L=80MM FOR AC LINE CORD	M	0	0.08000	0.1877	0.015016
179-105026-00	UL PVC TUBE 5 MM 260MM FOR SPEKAER 'L',400MM FOR SPEAKER 'R'	PC	0	0.66000	0.1877	0.123882
179-110500-00	UL PVC TUBE 11MM DIA, FOR AC LINE CORD	PC	0	0.05000	0.5535	0.027675
182-222000-03	FUSE T2A 250V F501	PC	0	1.00000	0.0968	0.096800
190-921300-04	POWER SWITCH P.C.B. (040592) FOR POWER SWITCH	PC	0	1.00000	0.0658	0.065800
190-921303-06	CHANNEL P.C.B. (280394)	PC	0	1.00000	0.2497	0.249700
190-921310-P1	MAIN P.C.B. (280596)	PC	0	1.00000	2.3497	2.349700
190-931302-P0	CRT P.C.B. (170496)	PC	0	1.00000	0.2400	0.240000
191-100034-09	1 PIN SOCKET ASSM'Y L=220MM CRT GND TO CN601	PC	0	1.00000	0.0350	0.035000
191-101003-07	1 PIN SOCKET ASSM'Y BLUE L=320MM MAIN P.C.B. CN501 TO POWER SWITCH P.C.B. 'A'	PC	0	1.00000	0.0599	0.059900
191-101004-07	1 PIN SOCKET ASSM'Y RED L=320MM MAIN P.C.B. CN502 TO POWER SWITCH P.C.B. 'B'	PC	0	1.00000	0.0599	0.059900
191-200030-09	2 PIN SOCKET ASSM'Y L=300MM CN702 '1' TO SPK.L '+', '2' TO SPK. L '-'	PC	0	1.00000	0.0377	0.037700
191-200031-09	2 PIN SOCKET ASS'Y L=80MM #FOR CN101 TO PW SW PCB#	PC	0	1.00000	0.0292	0.029200
191-200044-09	2 PIN SOCKET ASSM'Y L=440MM CN701 '1' TO SPK R. '+', '2' TO SPK R. '-'	PC	0	1.00000	0.0432	0.043200
191-401001-07	4 PIN SOCKET ASS'Y L=160MM CN103 '1' TO CH. P.C.B. 'F', '2' TO 'E'	PC	0	1.00000	0.0650	0.065000
191-401001-07	4 PIN SOCKET ASS'Y L=160MM CN103 '3' TO CH. P.C.B. 'D', '4' TO 'C'	PC	0	0.00000	0.0650	0.000000
191-501002-07	5 PIN SOCKET ASSM'Y L=360MM CN201 '1' TO CRT PCB 'A'	PC	0	1.00000	0.1002	0.100200
191-501002-07	5 PIN SOCKET ASSM'Y L=360MM CN201 '2' TO CRT PCB 'B'	PC	0	0.00000	0.1002	0.000000
191-501002-07	5 PIN SOCKET ASSM'Y L=360MM CN201 '3' TO CRT PCB 'C'	PC	0	0.00000	0.1002	0.000000
191-501002-07	5 PIN SOCKET ASSM'Y L=360MM CN201 '4' TO CRT PCB 'D'	PC	0	0.00000	0.1002	0.000000
191-501002-07	5 PIN SOCKET ASSM'Y L=360MM CN201 '5' TO CRT PCB 'E'	PC	0	0.00000	0.1002	0.000000
191-801003-07	8 PIN SOCKET ASSM'Y L=120MM CN102 '1' TO CH. P.C.B. 'N', '2' TO CH. P.C.B. 'M'	PC	0	1.00000	0.1239	0.123900
191-801003-07	8 PIN SOCKET ASSM'Y L=120MM CN102 '3' TO CH. P.C.B. 'L', '4' TO CH. P.C.B. 'K'	PC	0	0.00000	0.1239	0.000000
191-801003-07	8 PIN SOCKET ASSM'Y L=120MM CN102 '5' TO CH. P.C.B. 'J', '6' TO CH. P.C.B. 'I'	PC	0	0.00000	0.1239	0.000000
191-801003-07	8 PIN SOCKET ASSM'Y L=120MM CN102 '7' TO CH. P.C.B. 'H', '8' TO CH. P.C.B. 'G'	PC	0	0.00000	0.1239	0.000000
504-305006-10	MACHINE SCREW 3 X 6 B/M (WHITE) U402,405 2 FOR POWER SWITCH,U501	PC	0	5.00000	0.0013	0.006500

** THIS SPARE LIST IS MADE FOR TECHNICAL / MAINTENANCE REFERENCE ONLY **

Print Date : 26/09/96 PRODUCT CODE : 92132T-050004-TV
 Page Number : 16 DESCRIPTION : GT-9213 TEAC PAL/BG W/SCART 1P.TXT GREY 240V SAA.MONO 40P.

Component Part	Description / Location	Unit	Subs	Quantity Required	Unit Price	Amount
504-305012-10	MACHINE SCREW 3 X 12 B/M FOR HEAT SINK (B)	PC	0	1.00000	0.0019	0.001900
514-400425-10	SELF-TAPPING SCREW 4 X 25 B/T (HARDEN) 7 REAR CAB	PC	0	7.00000	0.0095	0.066500
514-500435-10	SELF-TAPPING SCREW B/T 5 X 35 HEAD DIA. =8.5MM (MAX)(HARDEN) 4 FOR CRT MTG.	PC	0	4.00000	0.0174	0.069600
516-400425-10	SELF-TAPPING SCREW 4 X 25 P/T (HARDEN) FOR REAR CAB.JOIN TO THE FRONT CAB.(BOTTOM)	PC	0	2.00000	0.0058	0.011600
517-303312-10	SELF-TAPPING SCREW 3 X 12 W/A W/H=7MM (HARDEN) FOR HEAT SINK (A) & (C)	PC	0	2.00000	0.0033	0.006600
520-305025-55	NUT M3 T=2.5 OD=5.5 FOR HEAT SINK (B)	PC	0	1.00000	0.0025	0.002500
540-020030-01	EYELET 2 X 3 MM 4-T501,1-Q504'C',1-Q402'C',2-T402,2-L401	PC	0	10.00000	0.0010	0.010000
540-020040-01	BRASS EYELET 2X4MM FOR AC LINE CORD - 2 , (X)(Y)-2	PC	0	4.00000	0.0010	0.004000
580-101261-01	CABLE TIE L=100MM FOR CRT BOARD , CONNECTOR ,SPEAKER	PC	0	11.00000	0.0029	0.031900
622-882802-00	FELT L240 X W17 X T0.5MM W/TAPE FOR REAR CABINET	PC	0	4.00000	0.0658	0.263200
728-921301-00	FUNCTION P.C.B. SUPPORT BKT.	PC	0	5.00000	0.0310	0.155000
744-881301-00	SPRING FOR C.R.T. MOUNTING 5.2 X 42 X 0.6MM	PC	0	1.00000	0.0484	0.048400
746-063101-00	TEST PIN:TOTAL LENGTH 18.6MM THK:0.8MM MAIN P.C.B. 'F','G','J'	PC	0	3.00000	0.0039	0.011700
750-063101-00	SOLDERING LUG LEG:8X4MM FOR U401,Q402,Q504	PC	0	3.00000	0.0023	0.006900
750-063102-01	35MM SOLDERING LUG OD:7 ID:3.2 LEG:4X35MM FOR SPK.WIRE	PC	0	2.00000	0.0087	0.017400
766-686801-00	FUSE HOLDER	PC	0	2.00000	0.0135	0.027000
777-921301-00	POWER KNOB SPRING (ID=9MM,L=10MM) FOR POWER KNOB	PC	0	1.00000	0.0072	0.007200
779-882001-01	IRON HEAT SINK (D) U402,405,U501	PC	0	3.00000	0.0387	0.116100
781-882001-02	ALUMINIUM HEAT SINK (B) FOR Q402	PC	0	1.00000	0.2032	0.203200
781-882102-03	ALUMIMIUM HEAT SINK (A) FOR Q504	PC	0	1.00000	0.3426	0.342600
781-892001-00	ALUMINIUM HEAT SINK (C) FOR U401	PC	0	1.00000	0.2284	0.228400
783-931304-02	SHIELD CAN	PC	0	1.00000	0.2071	0.207100
783-932001-00	SHIELD CAN COVER (SAMSUNG TUNER)	PC	0	1.00000	0.1490	0.149000
810-052204-14	POLYBAG 5" X 22" X 0.04MM PO MAT W/RE-CYCLING MARK FOR AC LINE CORD	PC	0	1.00000	0.0141	0.014100
834-230801-00	RUBBER WASHER OD=23 , ID=8 , T=1.0 FOR CRT MTG.ADJUSTMENT	PC	0	4.00000	0.0184	0.073600
834-230802-00	RUBBER WASHER OD=23 , ID=8 , T=2 CRT MTG.	PC	0	2.00000	0.0232	0.046400
834-230805-00	RUBBER WASHER OD=23 ID=8 T=0.5 CRT MTG.	PC	0	2.00000	0.0110	0.022000

** THIS SPARE LIST IS MADE FOR TECHNICAL / MAINTENANCE REFERENCE ONLY **

Print Date : 26/09/96
Page Number : 17

PRODUCT CODE : 92132T-050004-TV
DESCRIPTION : GT-9213 TEAC PAL/BG W/SCART 1P.TXT GREY 240V SAA.MONO 40P,

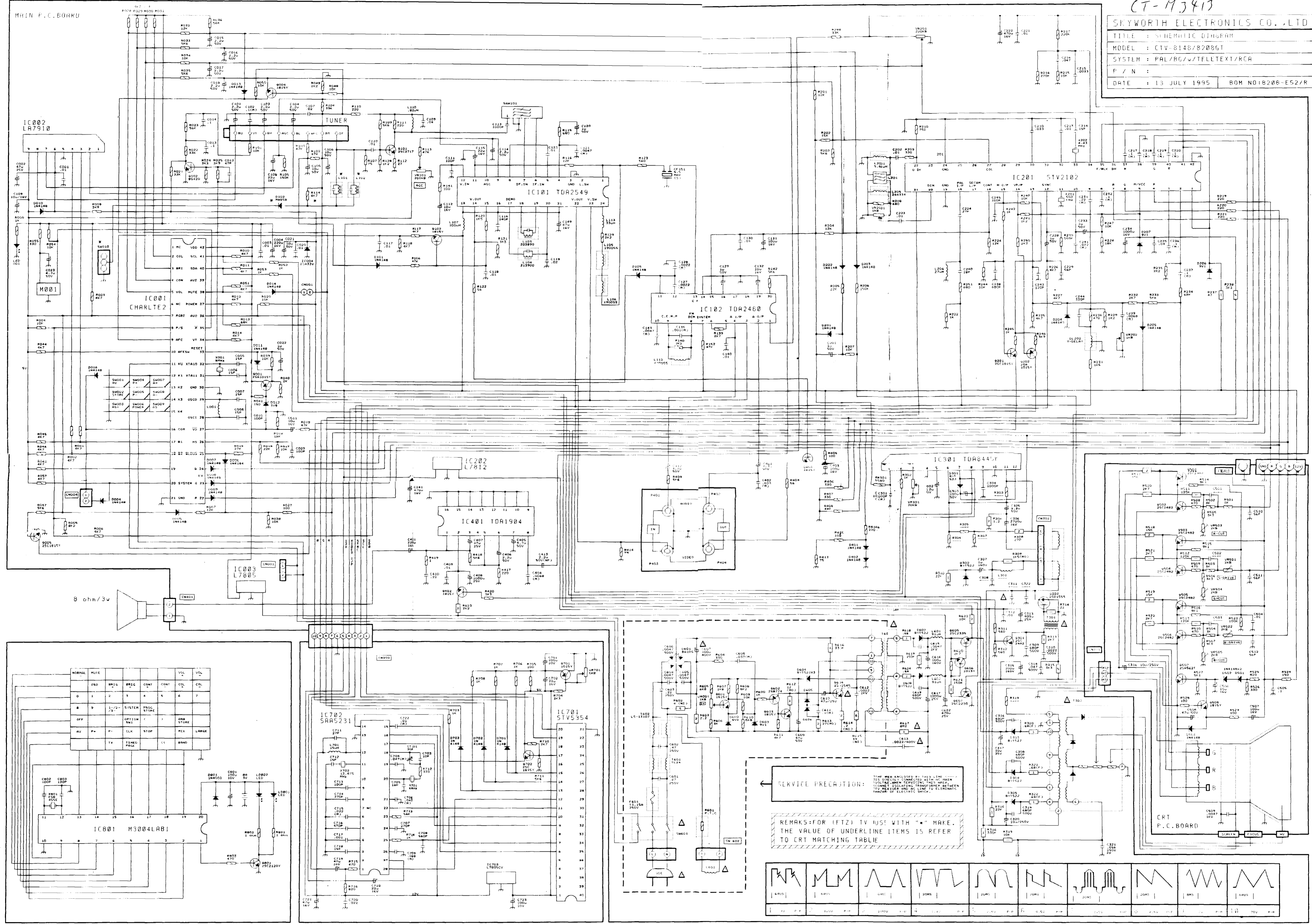
Component Part	Description / Location	Unit	Subs	Quantity Required	Unit Price	Amount
840-011024-21	PAD CORD L240 X W10 X T1 MM W/TAPE BETWEEN CRT AND FRONT CABINET	PC	0	4.00000	0.0387	0.154800
840-051030-11	RUBBER PAD (ONE SIDE W/TAPE) MAIN P.C.B. (1 UNDER POWER TRANSFORMER T502) &	PC	0	2.00000	0.0074	0.014800
840-051030-11	RUBBER PAD (ONE SIDE W/TAPE) (1 BETWEEN HEAT SINK A.B. ON COPPER SIDE)	PC	0	0.00000	0.0074	0.000000
840-051520-11	RUBBER PAD (ONE SIDE W/TAPE) MAIN P.C.B. (UNDER FBT)	PC	0	1.00000	0.0064	0.006400
896-921301-00	POWER BOARD COVER	PC	0	1.00000	0.0232	0.023200
929-892001-00	LED HOLDER BKT FOR CIRCLE LED FOR LED601	PC	0	1.00000	0.0153	0.015300
939-881302-00	POWER SWITCH ADAPTOR	PC	0	1.00000	0.0103	0.010300
948-881302-00	DEGAUSSING COIL MTG. CLIP	PC	0	4.00000	0.0255	0.102000
954-892101-00	STUD POST	PC	0	1.00000	0.0199	0.019900

ASSB PRICE : 63.463672

TOTALA PRICE : 166.3293

NO PRICE ITEM : 0

*** END OF REPORT ***



← SERVICE PRECAUTION:
 THE WEA ENGAGE IN THIS LINE
 TEST POINTS CONNECTED WITH HIGH
 VOLTAGE WHEN SERVICING THIS WEA.
 TO AVOID ELECTRIC SHOCK, REMOVE
 THE LINE TO TERMINATE
 INSTEAD OF ELECTRIC SHOCK.

REMARKS: FOR (FZ) TV USE WITH " " MAKE.
 THE VALUE OF UNDERLINE ITEMS IS REFER
 TO CRT MATCHING TABLE

